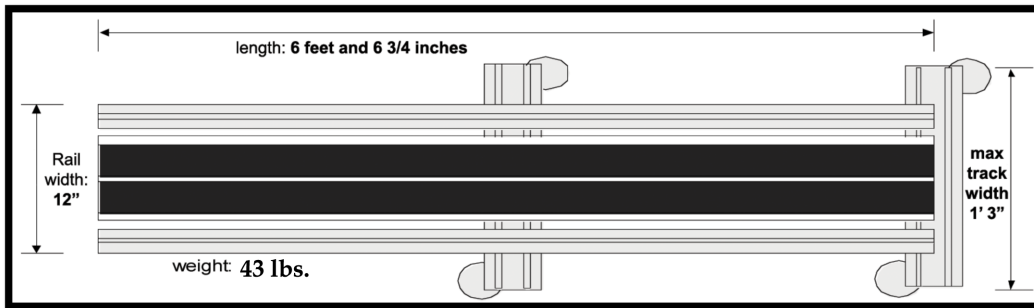


# ACE TrackRunner

Remote Head	
Camera	Any first line production camera
Lens	Canon, Sony, Fujinon
Max Payload (Remote head + Camera)	175 lbs
Remote Head	Nettmann Stab-C, Stab-C Compact, Mini-C, MiniMote SAS
Minimum Lens Height (From floor / support)	Dependent of Remote Head - Mini-C = 32", Stab-C Compact = 34"
Track Sizes	
Straight High Speed Track	2m (6.6') Sections - Silver
Straight ENT Track	2m (6.6') Sections - Black
Curved ENT Track - 20 Degrees/section	37' Diameter Circle (116' Circumference) - Black
Width for safe clearance of track	14"
height for safe clearance of camera and head	42"
Track Speeds	
Max Speed - With Energy Chain (Cable Management)	30 mph / 44 Feet per second
Max Acceleration - With Energy Chain (Cable Management)	Fully adjustable speed ramps
Max Speed - w/o Cable Management (R/F)	60 mph / 88 Feet per second
Max Acceleration - w/o Cable Management (R/F)	Fully adjustable speed ramps
Track Control	
Operator Options	Joystick, pedals, computer, touchscreen
Dimensions (inches) & Weights (Lbs)	
Dolly - LxWxH	71"x 15"x 14" - 95 lbs
Track - LxWxH	79"x 12"x 7.87 - 10.24" - 43 lbs / section
7000w Motor	51"x 19.5"x 19" - 242 lbs
Re-Direct unit	52"x 15"x 10" - 132 lbs
Track Power and Cabling	
Power Requirements	208V 3 PHASE 4 WIRE (35AMP CIRCUIT) CAM-LOK #2 CONNECTORS
Built in Cable Management	Pre-built or assembled to production needs (Fiber, Paint, etc)
Shipping Weights and Sizes	
Gross Weight - TrackRunner	Sizes in inches / lbs
Motor / Redirect / Energy Chain Case	Depends on Track Needs
Straight ENT Track (2m sections) / Dolly Case	38x57x29 / 485 lbs
Straight ENT Track (2m sections) Case	83x42x33 / 600 lbs
Curve ENT Track (20 Degree sections) Case	83x42x33 / 600 lbs
Curve ENT Track (20 Degree sections) Case	90x39x45 / 700 lbs
Electronics Case	45x35x25 / 340 lbs
TrackRunner Right Angle Case	30x23x15 / 77 lbs
TrackRunner Feet Case	32x22x12 / 110 lbs
TrackRunner Accessories Case	23x30x15 / 108 lbs
TrackRunner Joystick Case	32x14x22 / 30 Lbs



[WWW.ACEEAST.COM](http://WWW.ACEEAST.COM)