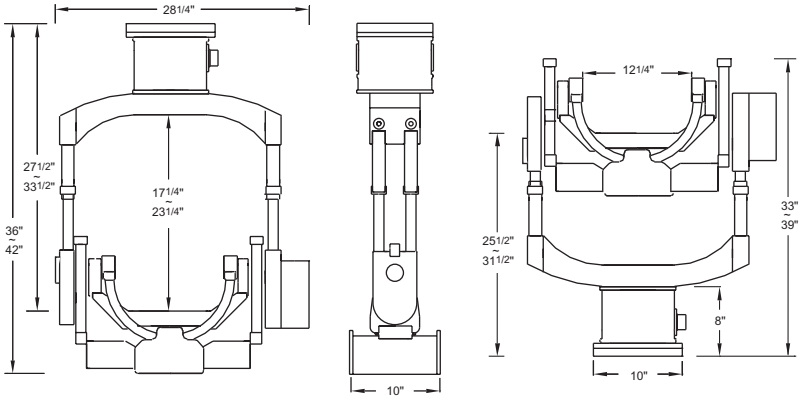


GYRON FS / STAB-C STABILIZED HEAD

Nettmann Systems Intl.
(formerly Matthews Studio Electronics)



Features

- Fully stable image at the end of a 600mm film lens
- Stabilized steerable roll axis
- Wireless capable
- Can point straight down
- Helicopter and IMAX ready
- Dutch-Tilt Corrected Steering

Applications

- Helicopters
- Telescopic Cranes
- Fixed Cranes
- Cable Rigs
- Camera Cars
- Airplanes
- Boats

Technical Specs

Head Axes

Pan: 360° continuous, 0-120°/sec.
Tilt: 123° (+45°-78°) or (+33° -90°), 0-60°/sec.
Roll: +/- 50° steerable or horizon level, 0-60°/sec.

Head Weight

120 lbs.

Max. Camera Weight

130 lbs.

Stabilization Specs

3 axis high bandwidth full stabilization
Backpan and target tracking: Automatic
Selectable amounts of stabilization as required.
Standard: 600 mm film lens completely stabilized (1000 mm+ upon request)

Head Control

Wheels, joystick

Environmental

-22° F to 120° F
Sealed for rain, snow, mud etc.
(covers also available)

Power Requirements

24-28 VDC (3A standby, 15A max)
Generator, battery, AC

Setup Time

1 hour

Technician Required

Yes

Cameras Accepted

All, including IMAX msm

Wireless

3rd party microwave, RF, etc.

Lens Control

Preston FI+Z