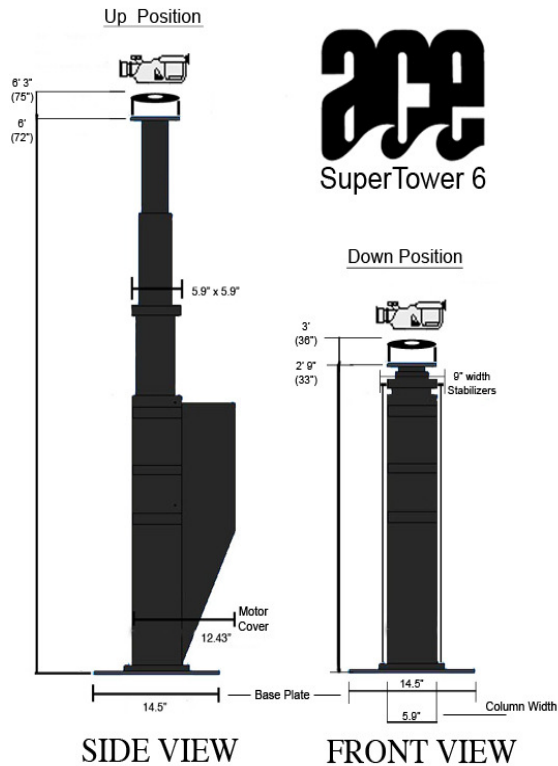
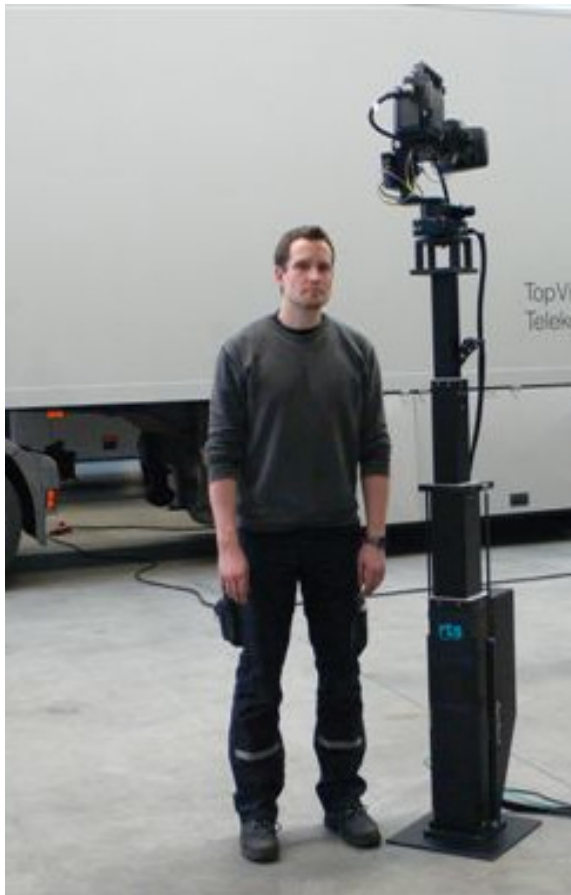


# ACE SuperTower 6

Remote Head	
Camera	ACE MicroPlus HD System (Panasonic AK-HC 1500G) (Camera/ Lens 22" Long)
Lens	Canon, Fujinon
Remote Head	MiniMote, ACE MicroPlus HD System
Lens Height Down Position (Ground to Center of Lens)	ACE MicroPlus HD System 46" to 51.5" Depending on Riser
Lens Height Up Position (Ground to Center of Lens)	ACE MicroPlus HD System 85" to 90.5" Depending on Riser
Dimensions	
Foot Print	14.5" x 14.5"
Travel Distance (Stroke)	3' 4" Move
Height for clearance (UP Position)	8 feet - Depending on Remote Head selection
Travel Speeds	
Max Speed	1.31 fps / .4 mps
Acceleration	Joystick slider controlled
Tower Control	
Operator Options	Joystick, pedals
Special Features	
Tower is able to Mount on TrackRunner. (Riser Sizes 0.5"/2.5"/6")	Lens Height mounted on TrackRunner with ACE MicroPlus in the Down Position 65" and the Up Position 105" (Depending on Riser). Speed is directly related to the stability of the tower at its maximum height. The lower the tower and/or the wider the shot, faster speeds can be achieved.
Cabling	
Power Requirements	120V AC (20A)
Built in Cable Management	Pre-built or assembled to production needs (Fiber, Paint, etc)
Shipping Weights and Sizes	
Gross Weight - SuperTower 6	85 lbs
SuperTower Case#1 - Tower	96" (5.75 feet) x 26" (2.2 feet) x 30" (2.5 feet) / 242 lbs



NOTE: Mitchell mount measurements  
 Plate is 6.25" Square, Mitchell mount is 7" diameter circle  
 Mount is 3" tall